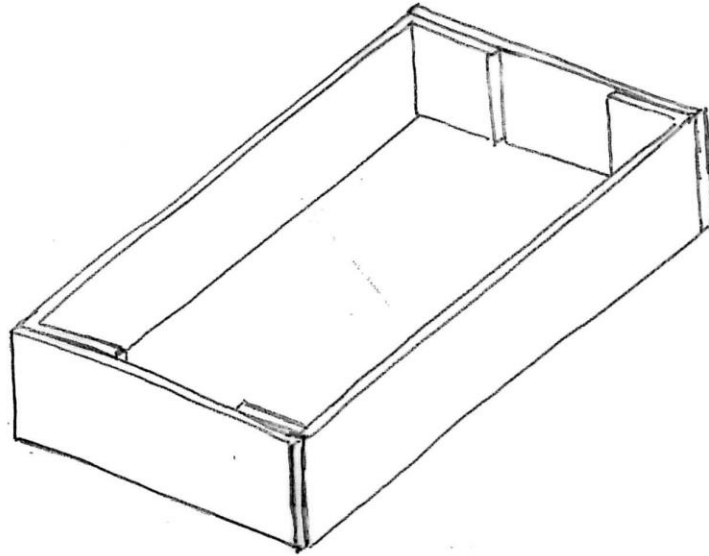
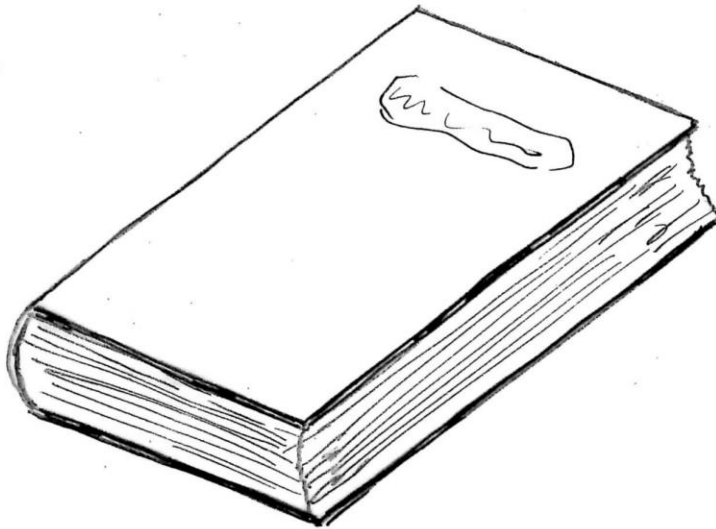


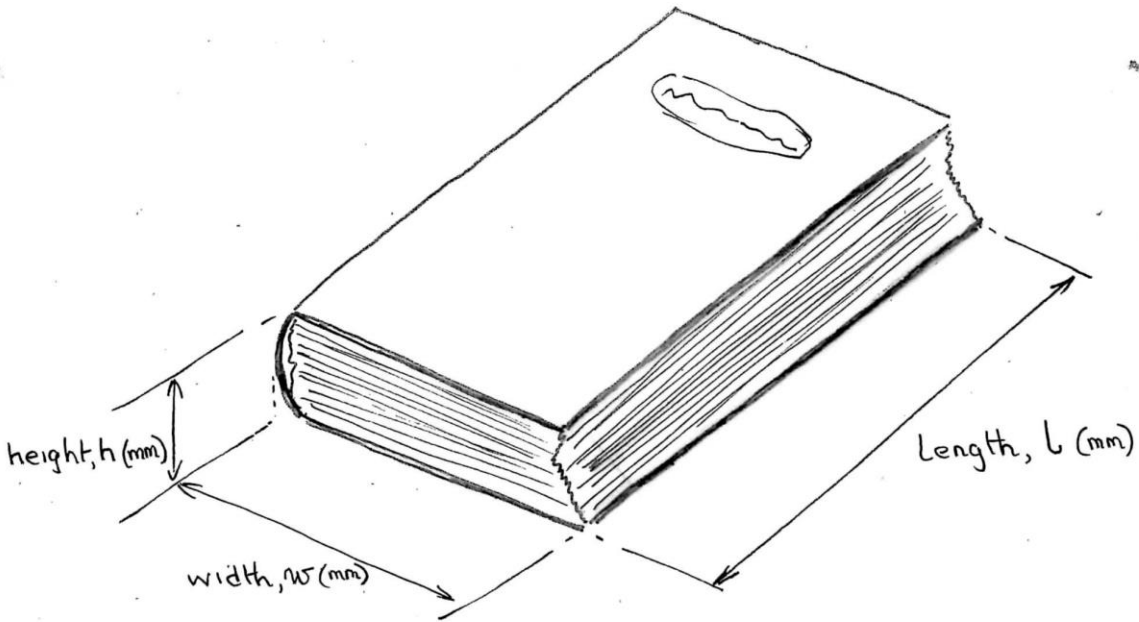
MAKING A SIMPLE BOX....



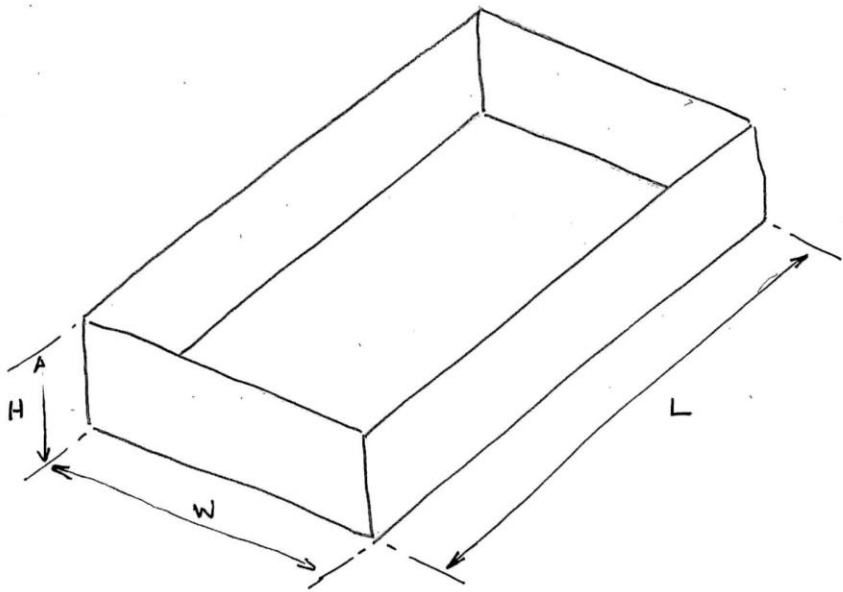
FOR A SIMPLE OBJECT... A BOOK.



STEP ① MEASURE THE BOOK.



STEP ② WORK OUT THE SIZE OF THE BOX



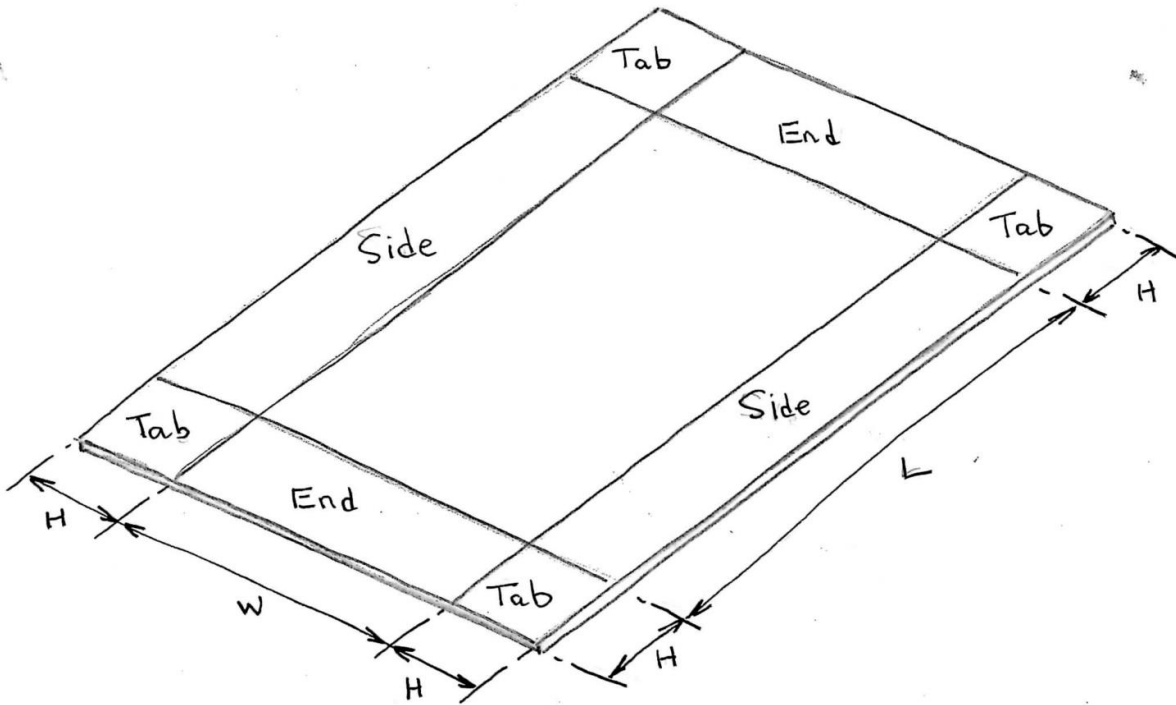
$$\begin{aligned} L &= l + 2\text{mm} + 12\text{mm} \\ W &= w + 2\text{mm} + 6\text{mm} \\ H &= h + 2\text{mm} + 3\text{mm} \end{aligned}$$

← Allowance for thickness of card

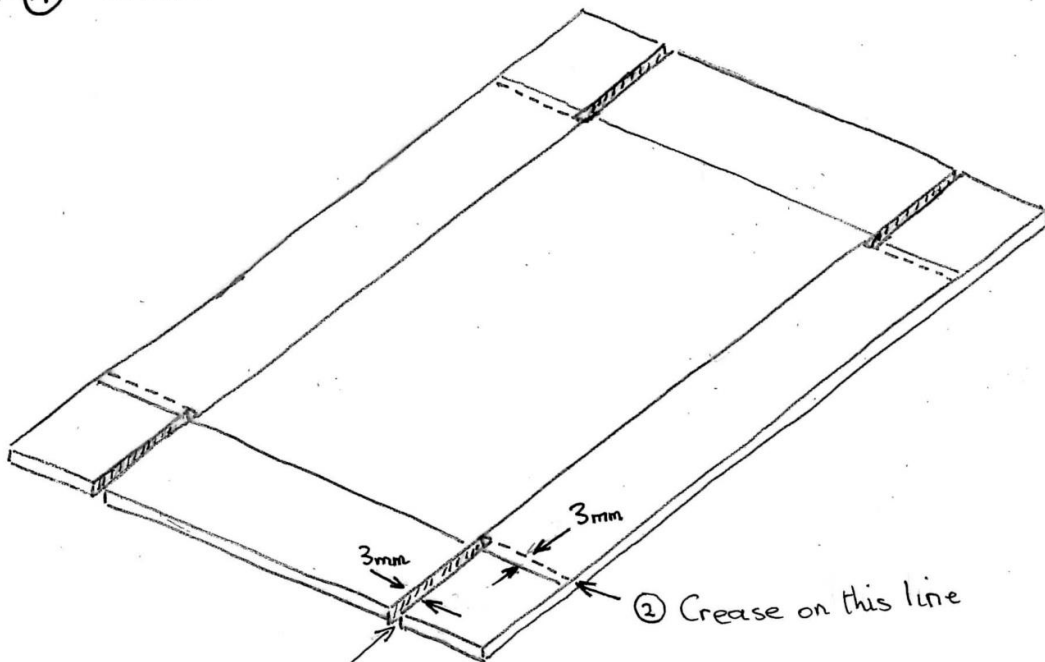
← Clearance around book

### STEP ③ MARK OUT THE CARD

③



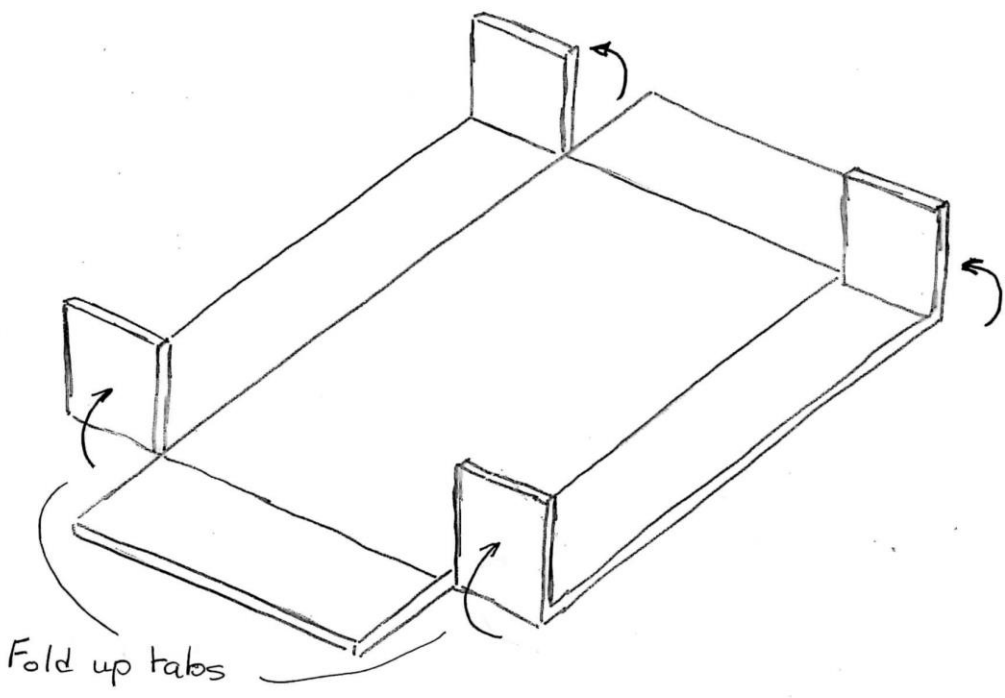
### STEP ④ SHAPE THE TABS



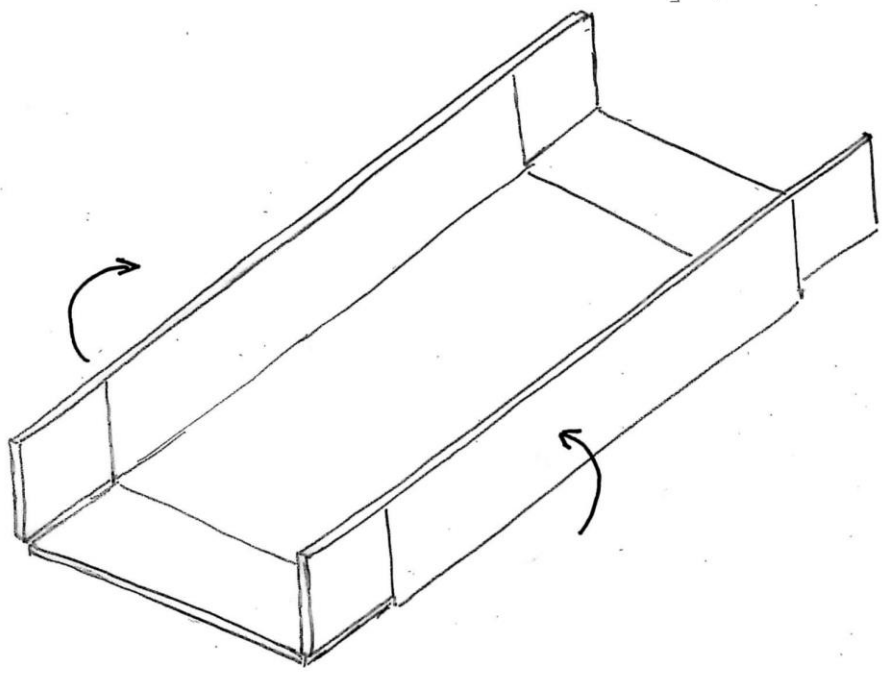
① Cut out this piece

② Crease on this line

STEP ⑤ FOLD UP TABS

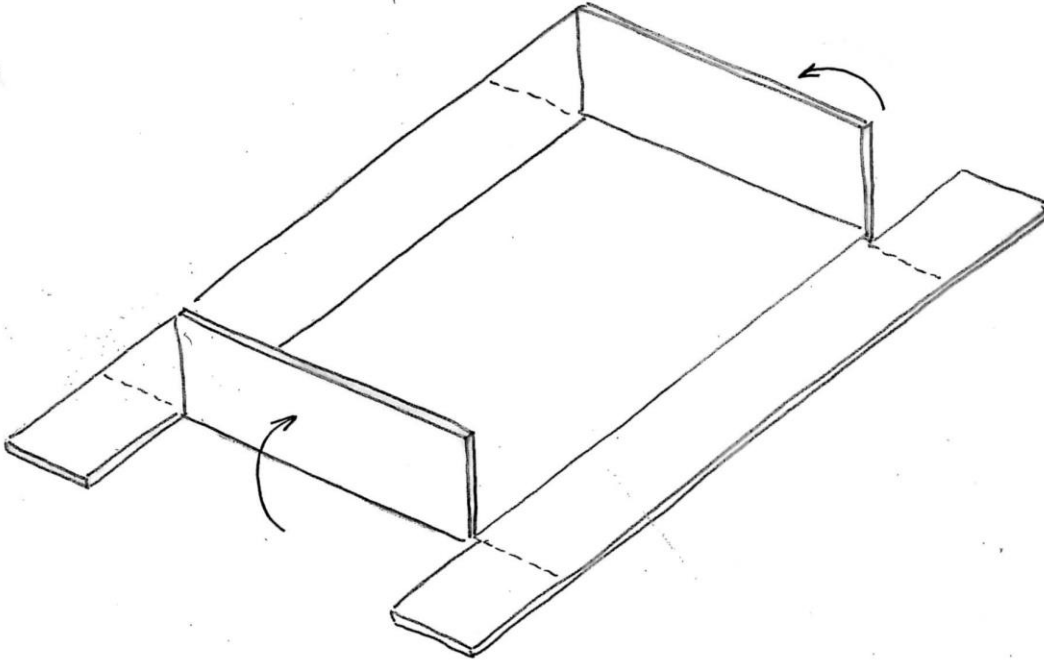


STEP ⑥ FLATTEN TABS, FOLD UP SIDES

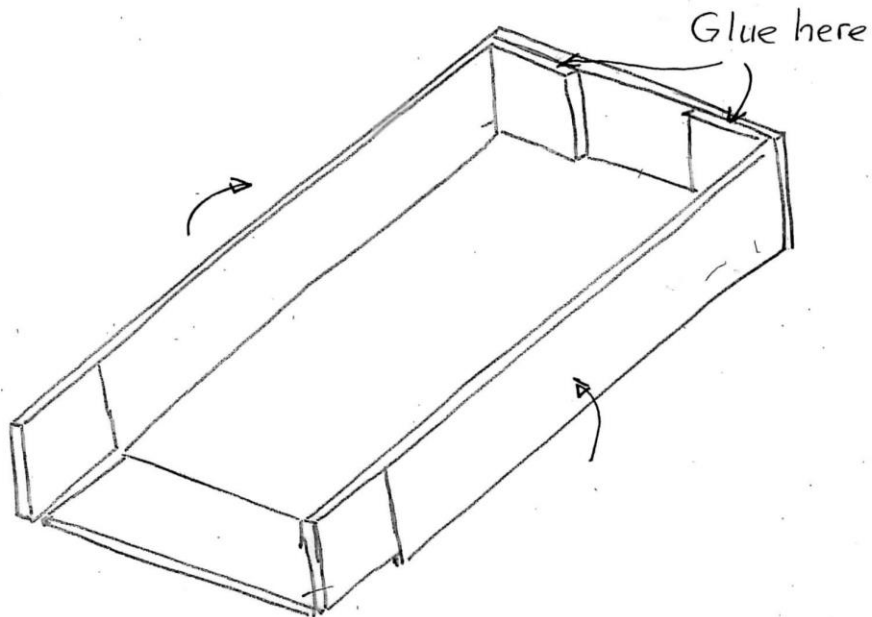


STEP ⑦ FLATTEN SIDES, FOLD UP ENDS

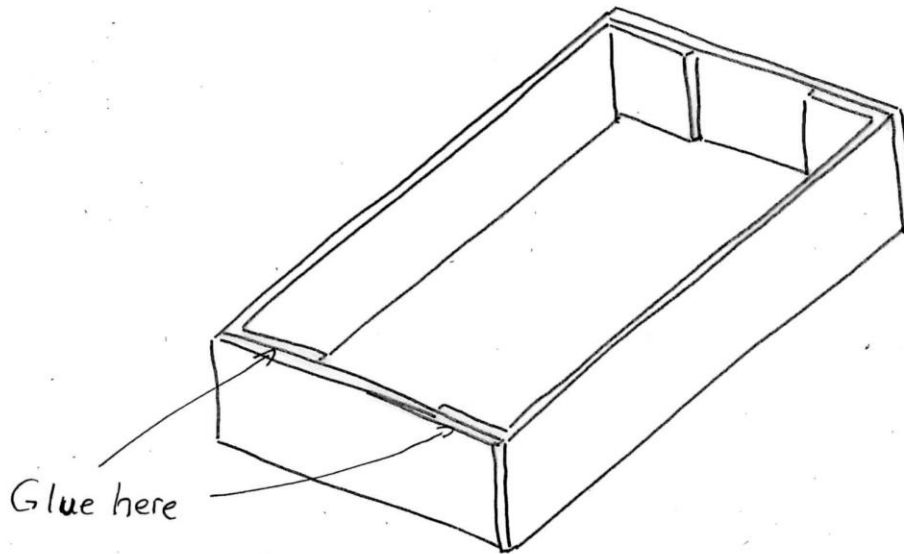
⑤



STEP ⑧ FOLD UP SIDES & GLUE TABS TO ONE END



STEP 9 • GLUE TABS TO OTHER END



Box FINISHED — JOB DONE!

- To MAKE A LID FOR THE BOX, REPEAT THE SAME PROCESS, BUT USING THE MEASUREMENTS OF THE COMPLETED BOX AS THE OBJECT, RATHER THAN THE BOOK.